

LT-311RF LED Dim Controller



LT-311RF multi-function LED controller is a universal dimming controller, which adopted advanced PWM (Pulse Width Modulation) digital dimming technology, PC engineering plastic housing, soft button control and exquisite appearance; functional change and brightness adjustment. It can be controlled by the buttons on the controller and also by RF remote control. Automatically adapt to 12-24VDC voltage input, which widely used in the resistor current limiting single color LED products.

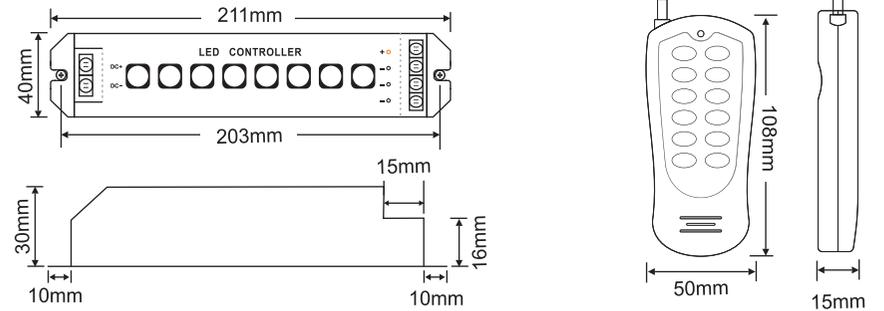
* LT-311RF can be connected to our constant current power repeater to control the hi-power LED lights.

1. Technical Specs:

LT-311RF (Common Anode)

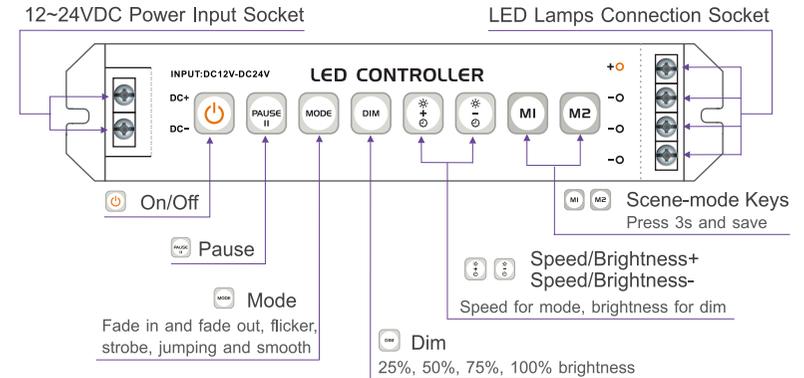
- Input Voltage: 12~24VDC
- Max Current Load: 6A × 3CH Max 18A
- Max Output Power: 216W/432W(12V/24V)
- RF Remote Distance: 100m
- Dimming Range: 5~100%
- Working Temperature: -30°C -55 °C
- Dimensions: L211×W40×H30(mm)
- Package Size: L313×W50×H32(mm)
- Weight (G.W.): 240g

2. Product Size:

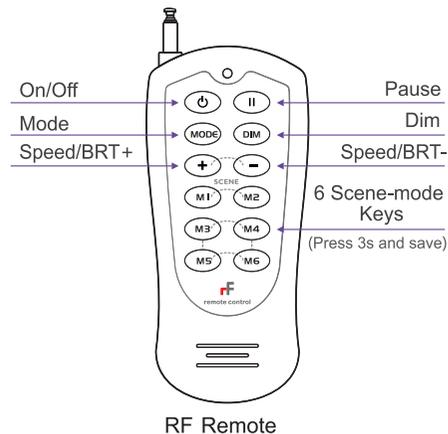


3. Detailed Key Functions:

8 keys on the controller: **ON/OFF**, **PAUSE**, **MODE**, **DIM**, **SPEED/BRT+**, **SPEED/BRT-**, **M1**, **M2**



* Press **PAUSE** in 3 seconds, the buzzer can be on or off.



ID Learning Method:

Learning ID:

Press "On/Off" key on the controller for 3s, the buzzer long beep and the green light will be on, release the key, press any button on the remote, when the green light turns off means activated.

Cancelling ID:

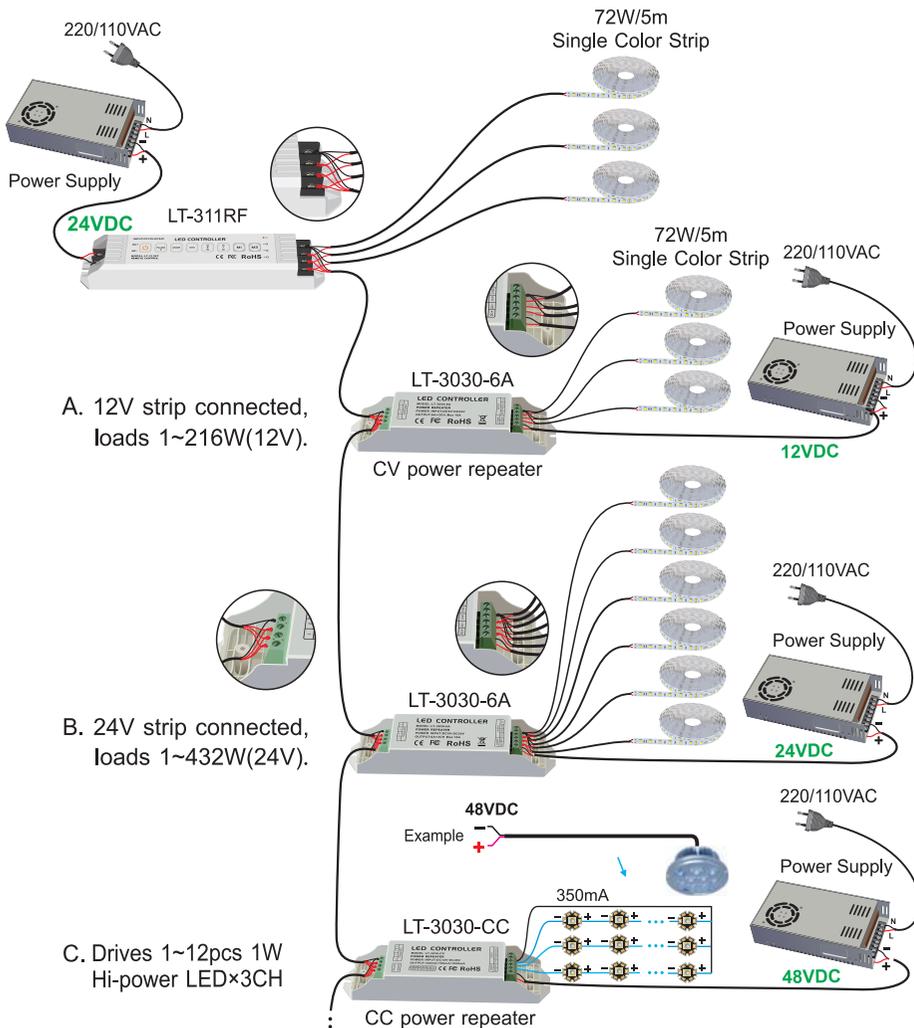
Press "On/Off" key on the controller for 5s, the buzzer long beep, the green light will be on and flash once, meanwhile press any button on the remote, when the green light flashes several times means ID cancelled (do not release the "On/Off" key during the process).

4. Wiring Diagram:

4.1 Connected to LED single color strips:



4.2 Power repeater can be added to expand power when the power is not enough. Constant current power repeater also can be added if control the high power LED at the same time.



5. Attention:

- 5.1 The product shall be installed and serviced by the qualified person.
- 5.2 This product is non-waterproof. Please avoid the sun and rain. When installed outdoors, please ensure it is mounted in a water proof enclosure.
- 5.3 Good heat dissipation will prolong the working life of the controller. Please ensure good ventilation.
- 5.4 Please check if the output voltage of the LED power supply used comply with the working voltage of the product.
- 5.5 Please ensure that adequate sized cable is used from the controller to the LED lights to carry the current. Please also ensure that the cable is secured tightly in the connector.
- 5.6 Ensure all wire connections and polarities are correct before applying power to avoid any damages to the lights.
- 5.7 If a fault occurs, please return the product to your supplier. Do not attempt to fix this product by yourself.

6. Warranty Agreement:

- 6.1 We provide lifelong technical assistance with this product:
 - A 5-year warranty is given from the date of purchase. The warranty is for free repair or replacement if cover manufacturing faults only.
 - For faults beyond the 5-year warranty, we reserve the right to charge for time and parts.
- 6.2 Warranty exclusions below:
 - Any man-made damages caused from improper operation, or connecting to excess voltage and overloading.
 - The product appears to have excessive physical damage.
 - Damage due to natural disasters and force majeure.
 - Warranty label, fragile label and unique barcode label have been damaged.
 - The product has been replaced by a brand new product.
- 6.3 Repair or replacement as provided under this warranty is the exclusive remedy to the customer. LTECH shall not be liable for any incidental or consequential damages for breach of any stipulation in this warranty.
- 6.4 Any amendment or adjustment to this warranty must be approved in writing by LTECH only.

★This manual only applies to this model. LTECH reserve the right to make changes without prior notice.